

# Edge Pull for Pocket Doors



## EPP 7000

Spring Loaded Edge Pull

Finger pull remains flush with the edge of the door until the button is pressed. Pushing button projects finger pull.

As standard, the finger pull and button is always supplied in nickel-plated steel and the faceplate in stainless steel.

### Steel Case

4.13" × 2.95" × 0.55"

(105 × 75 × 14 mm)

Case not enclosed.

0.057" (1.45 mm) thick, steel.

### Faceplate (Forend)

0.157" × 0.79" × 8.66"

(3 × 20 × 220 mm)

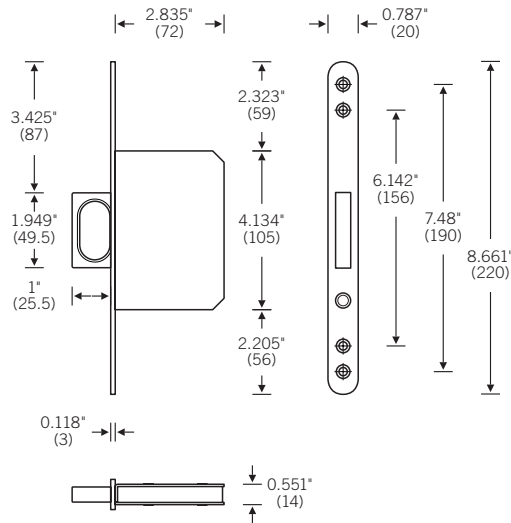
Stainless steel, non-corroding, precision ground. Satin stainless finish only. Flat forend plate with rounded ends.

### Pull

0.394" × 1.95" (10 × 49.5 mm)

× 1" (25.5 mm) throw.

Nickel-plated steel.



All details subject to modification